



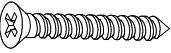
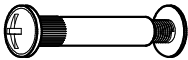
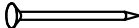
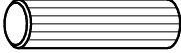
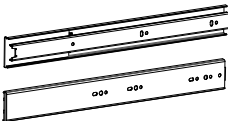
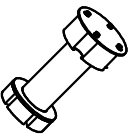


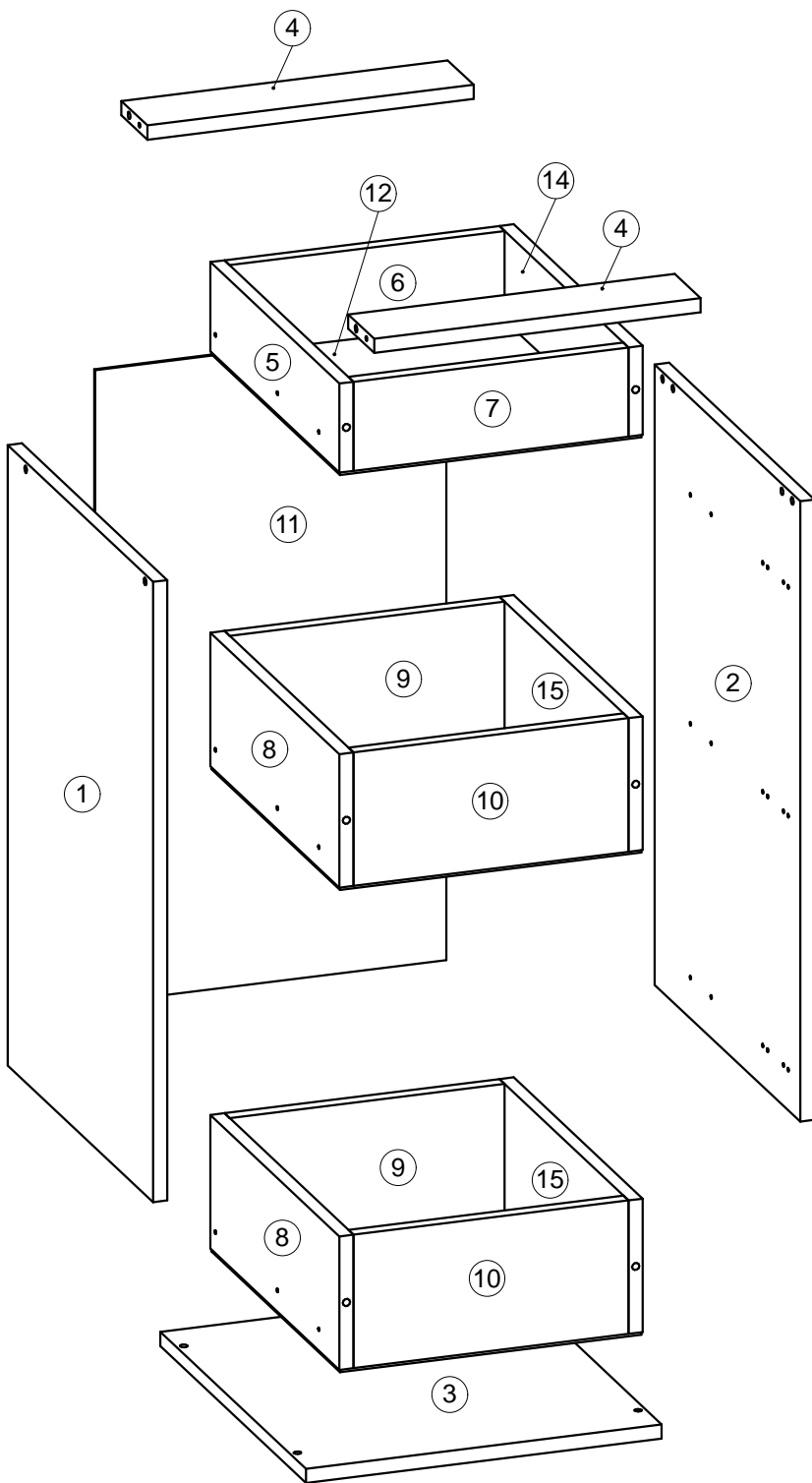
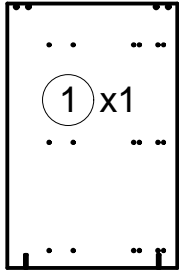
 Ø6,3x50 mm A1 x 8	 Ø12 mm A2 x 8	 4 mm A3 x 1	 Ø3x16 mm D1 x 20	 Ø4x16 mm D2 x 36
 Ø4x30 mm D3 x 10	 Ø8x30 mm E x 2	 Ø1,6x25 mm F x 97	 Ø8x36 mm G x 34	 K x 3
 N x 4	 50g R x 1	 Y x 2		

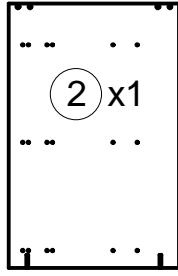


Box

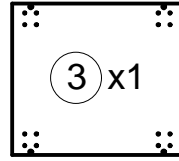
450x699x16 mm



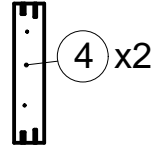
450x699x16 mm



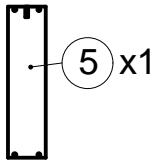
400x450x16 mm



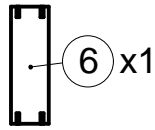
368x80x16mm



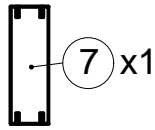
400x100x16 mm



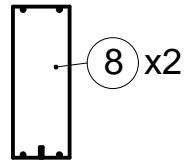
310x100x16 mm



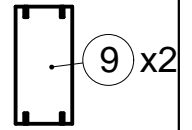
310x100x16 mm



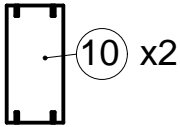
400x150x16 mm



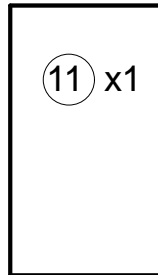
310x150x16 mm



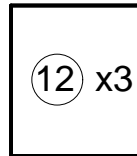
310x150x16 mm



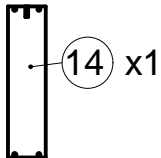
714x398x3 mm



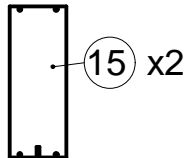
398x340x3 mm



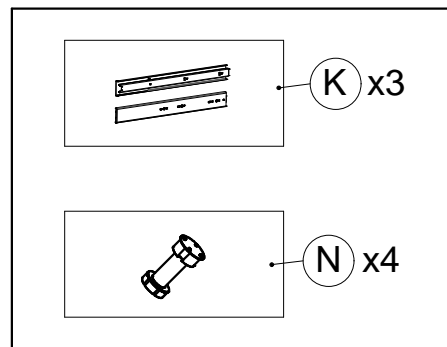
400x100x16 mm



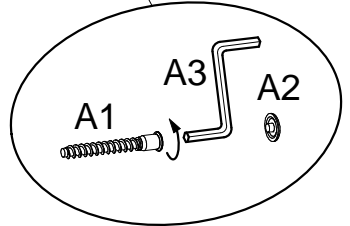
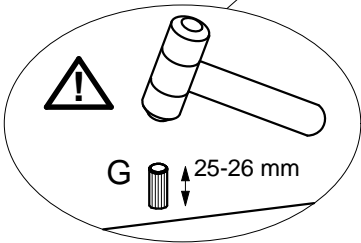
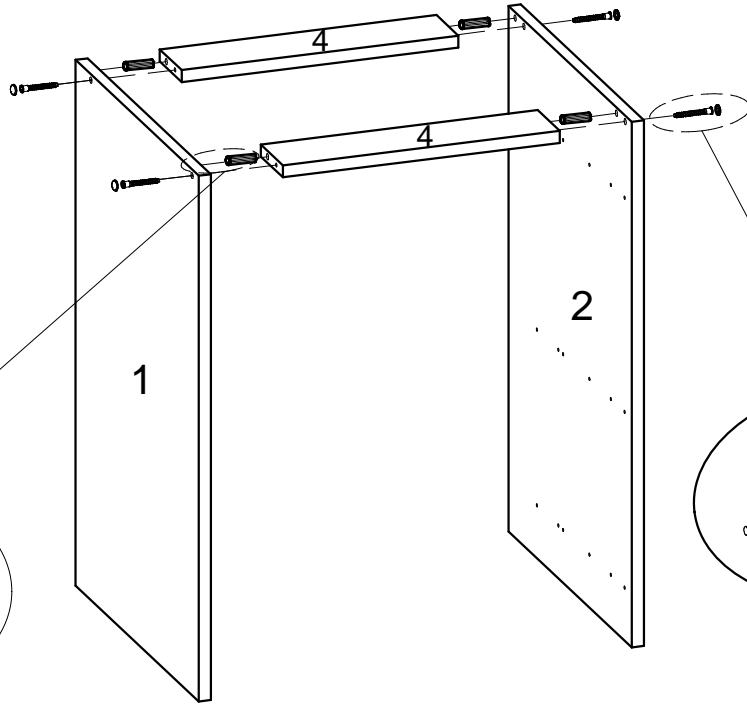
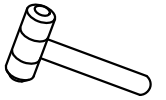
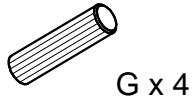
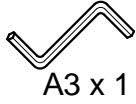
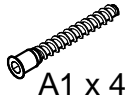
400x150x16 mm



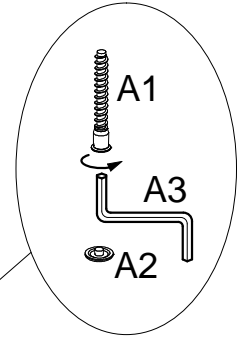
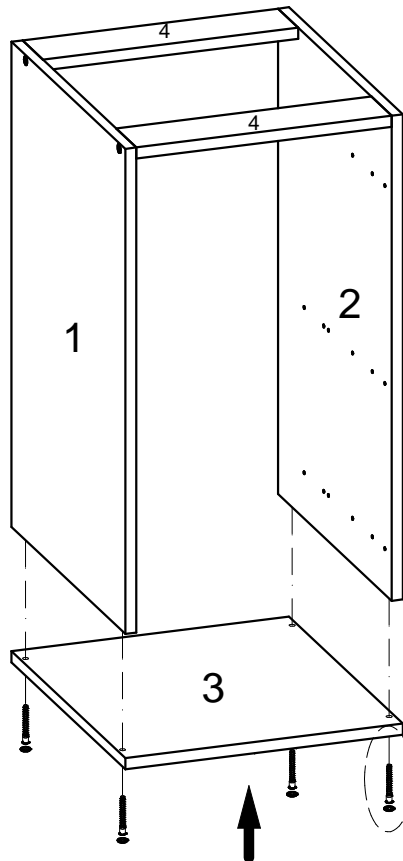
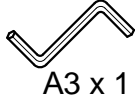
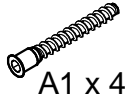
Fittings & Tools



1



2

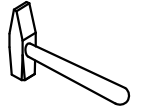
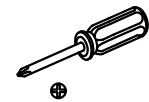


3

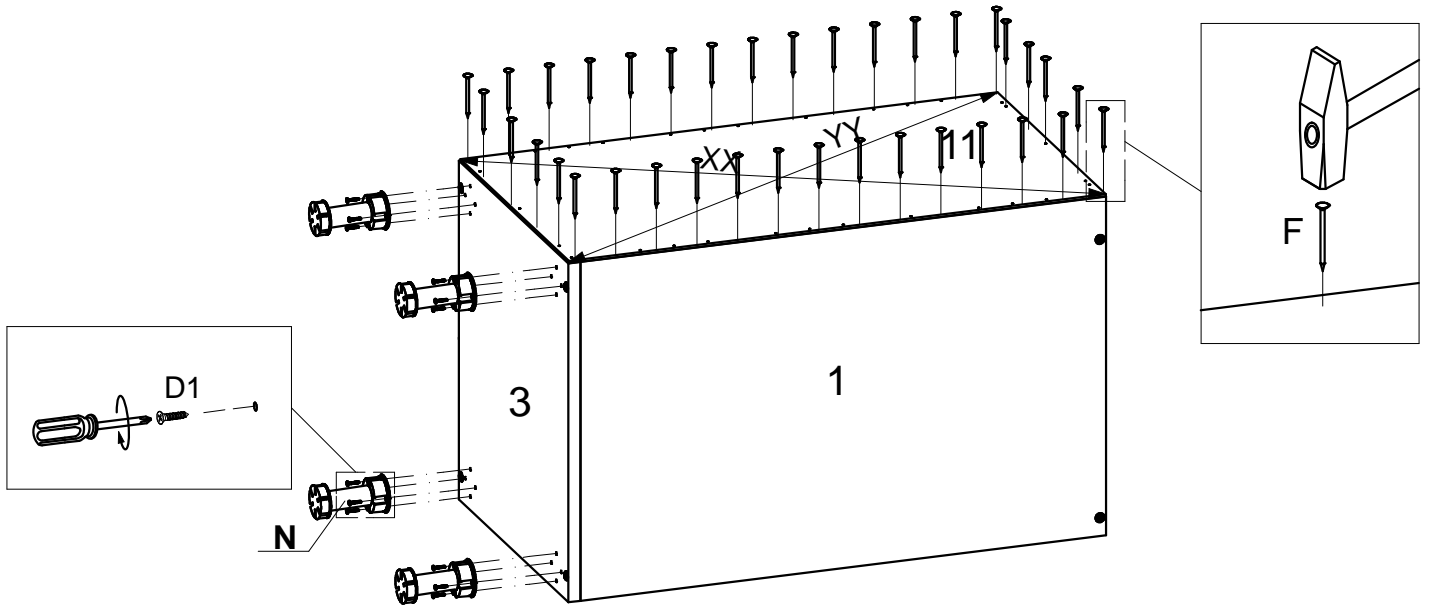
D1 x 16

F x 49

N1 x 4



⚠ XX=YY≅90°

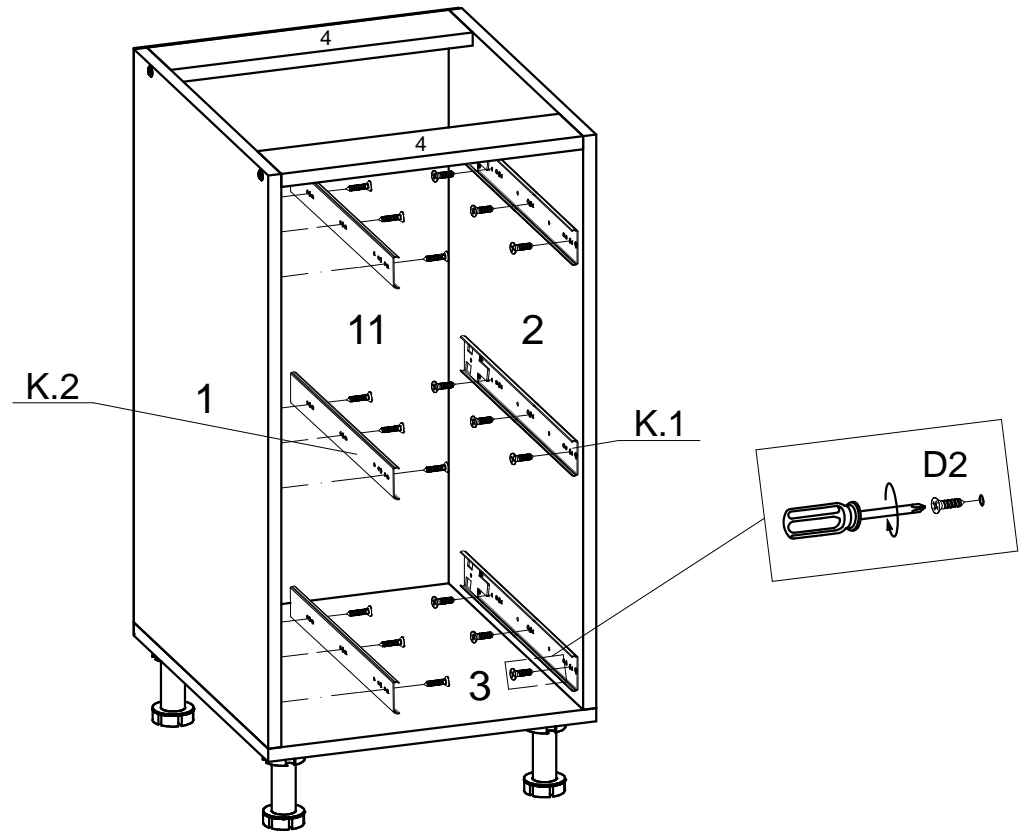
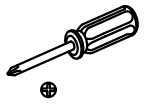


4

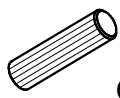
D2 x 18

K.1 x 3

K.2 x 3



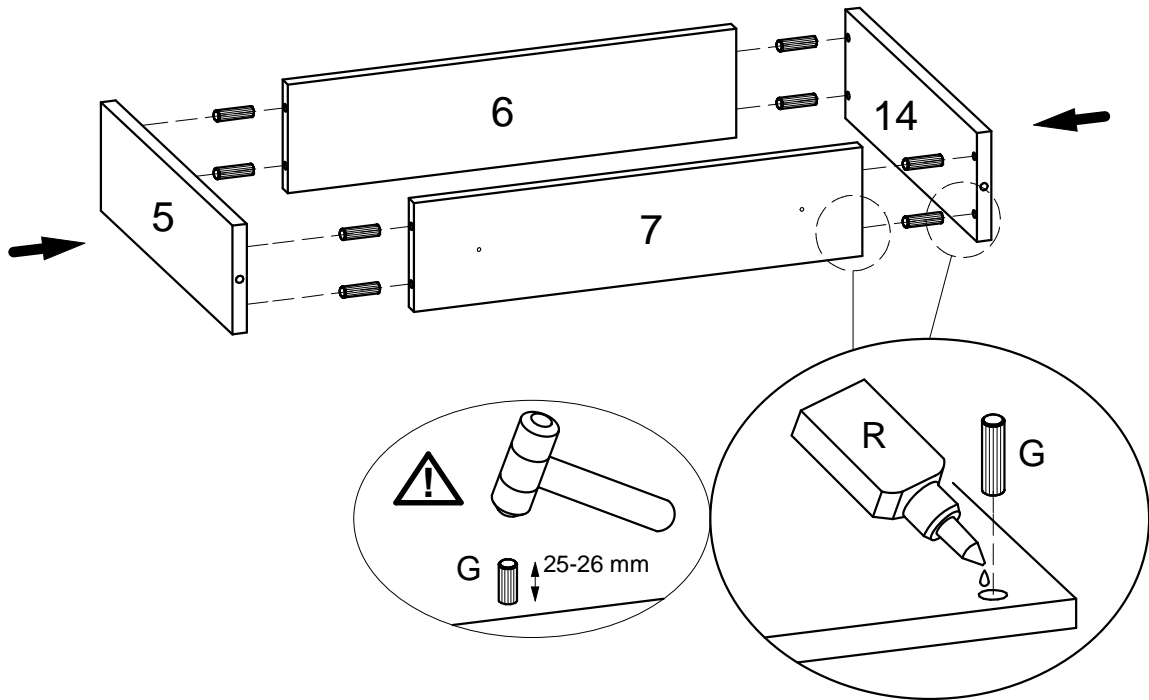
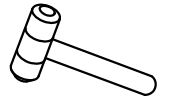
5



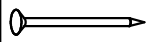
G x 8



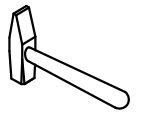
R x 1



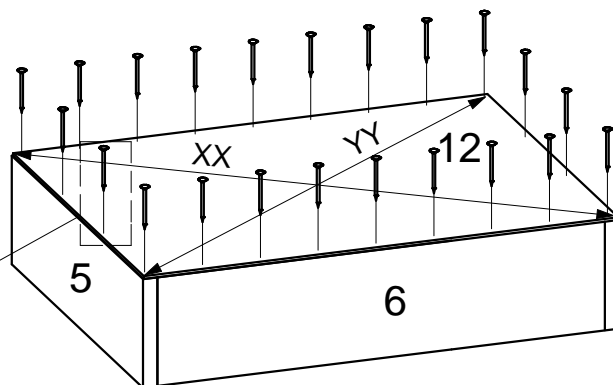
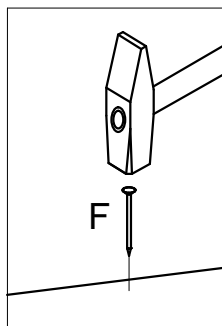
6



F x 16



! $XX=YY=90^\circ$



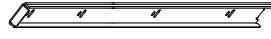
7



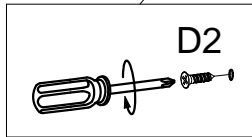
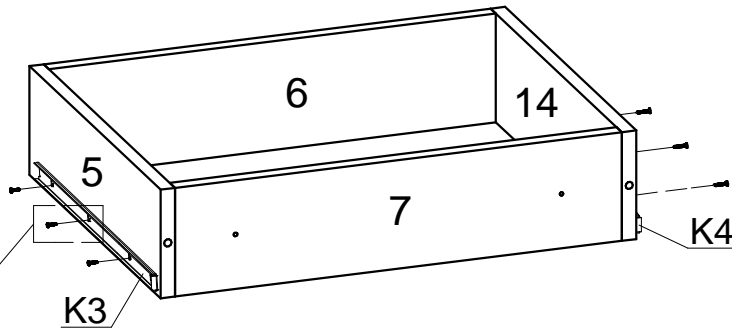
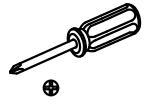
D2 x 6



K.3 x 1



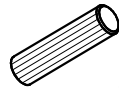
K.4 x 1



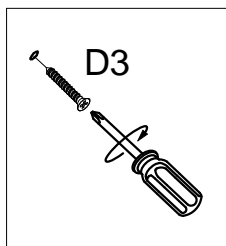
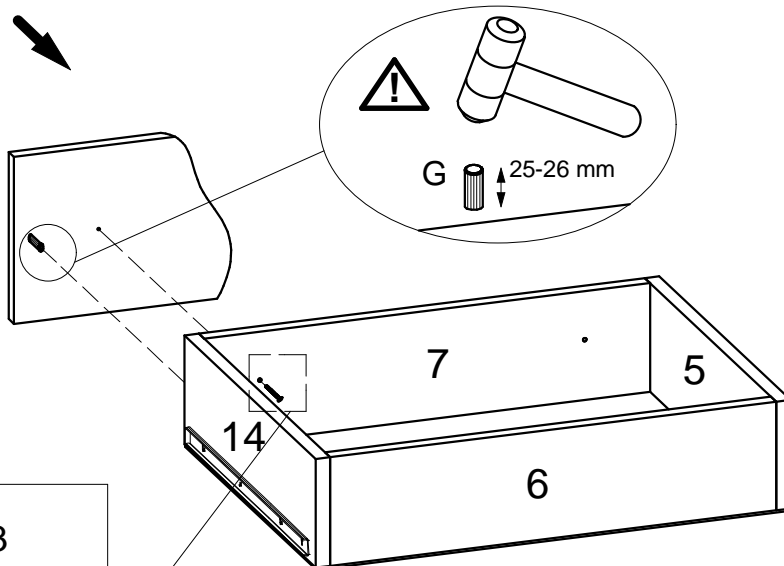
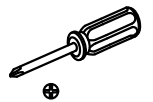
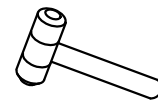
8



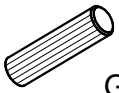
D3 x 2



G x 2



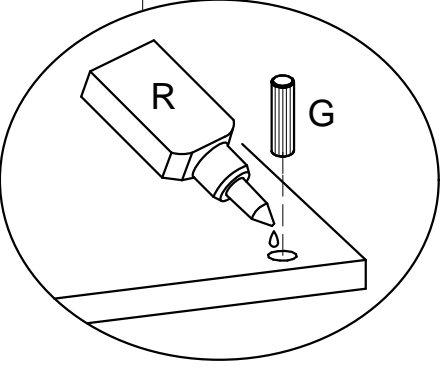
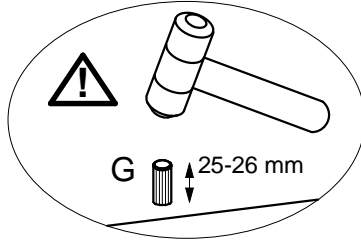
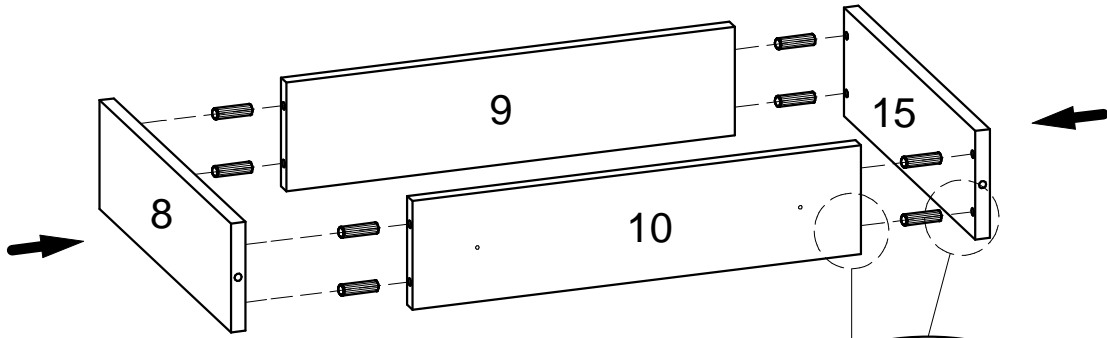
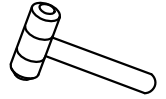
9



G x 16

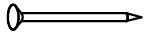


R x 1

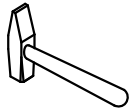


x 2

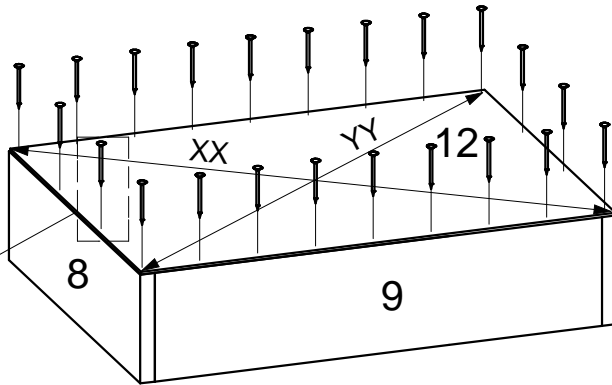
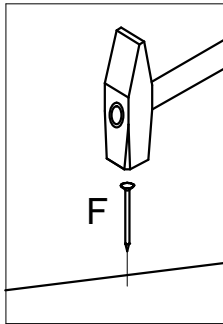
10



F x 32



! $XX=YY \cong 90^\circ$



x 2

11



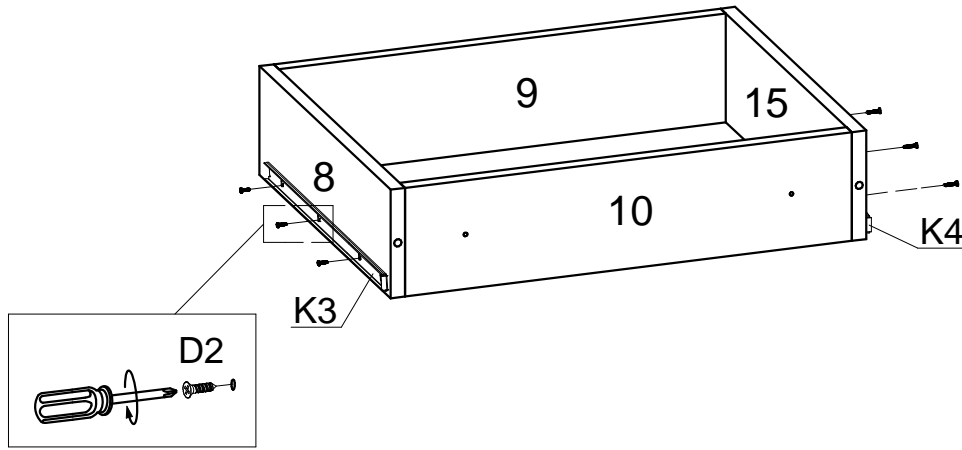
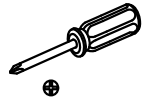
D2 x 12



K.3 x 2



K.4 x 2

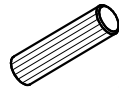


x 2

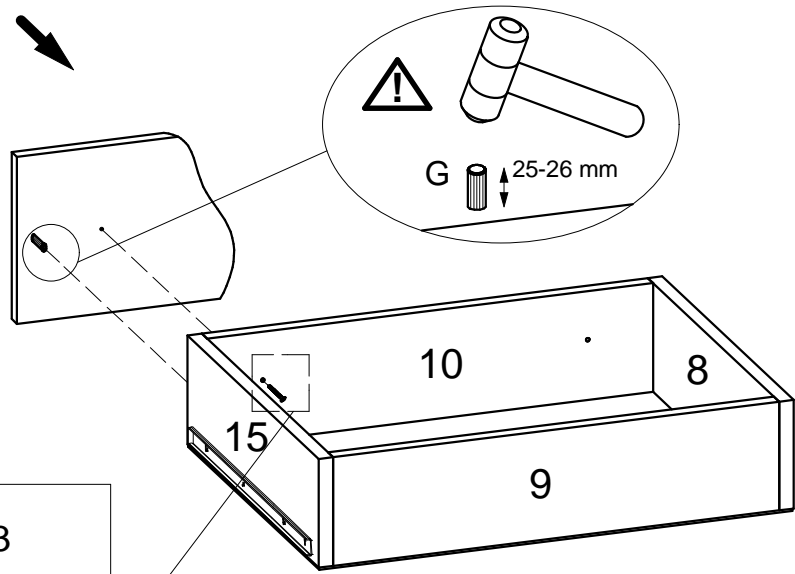
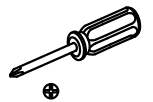
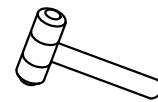
12



D3 x 4

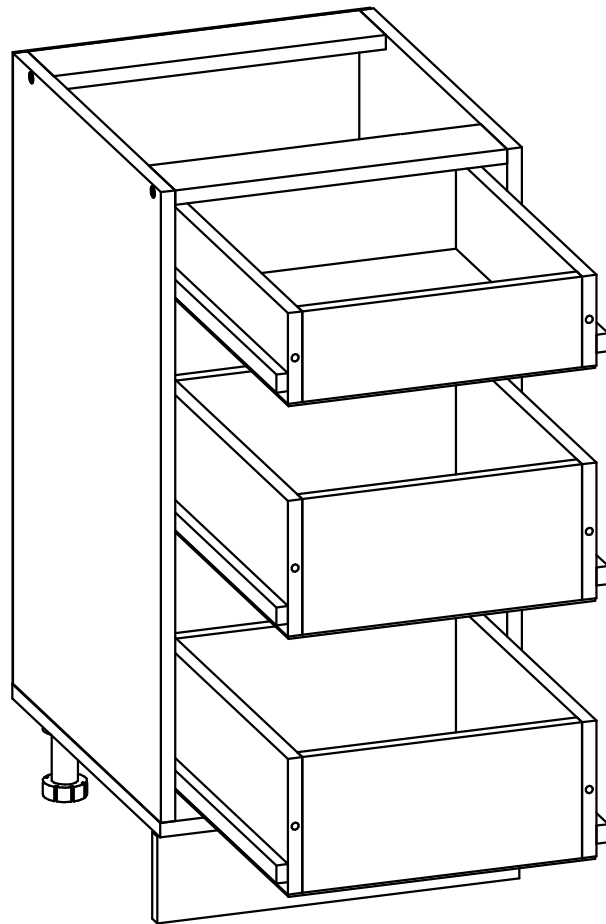


G x 4




x 2

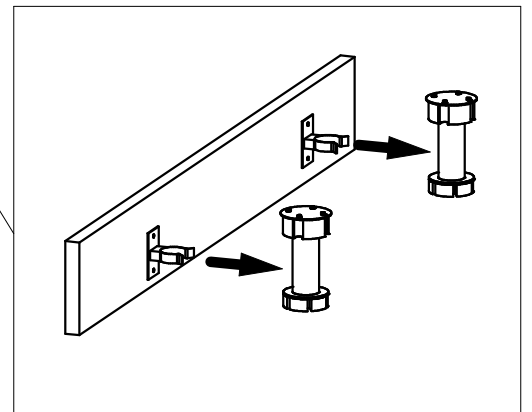
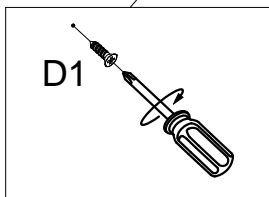
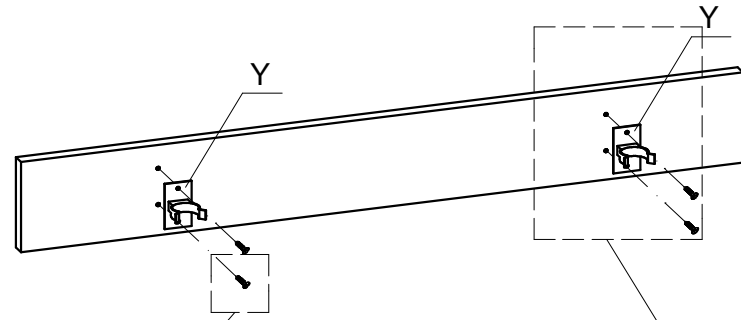
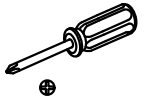
13




14

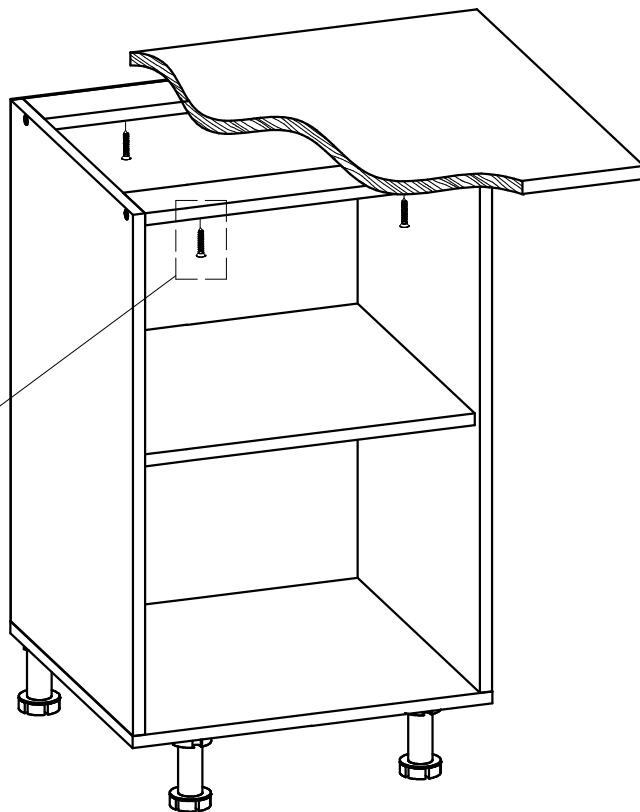
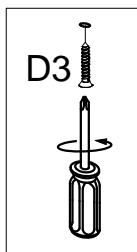
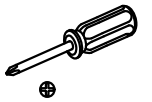

D1 x 4


Y x 2



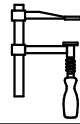



D3 x 4

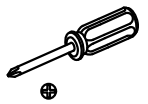
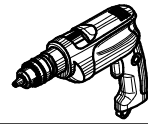




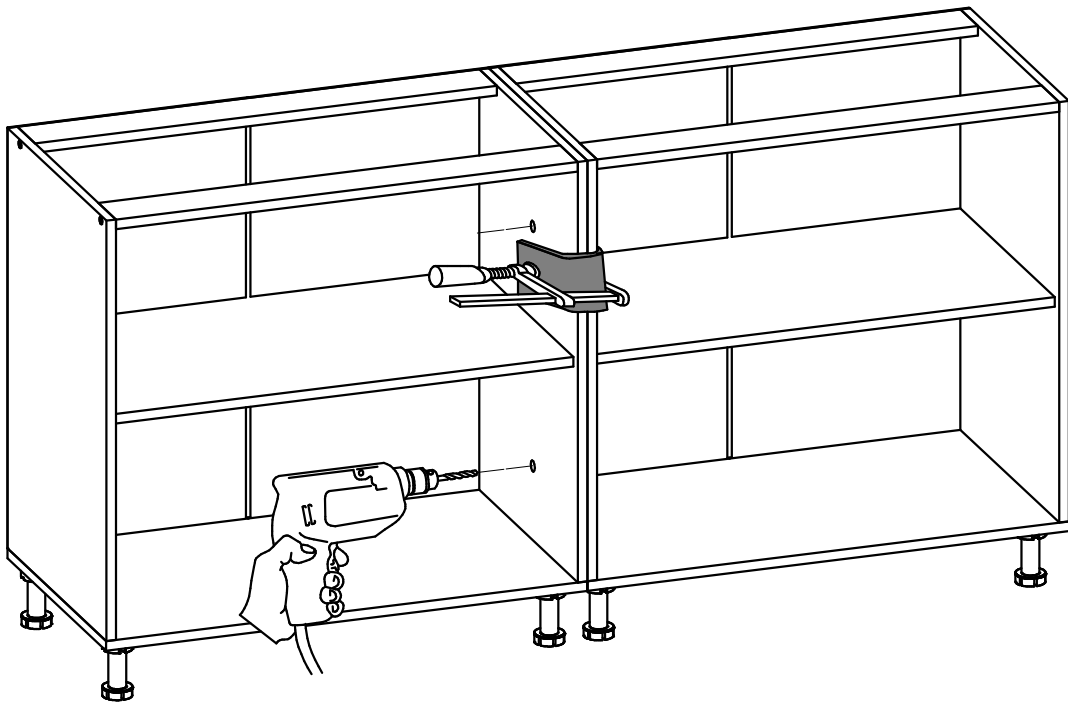
Ex 2



Ø8



1



2

